

产品特性/Product Features

- IP6K9K
- 50A 85°C
- 12-750VDC
- 1000M 1000VDC IEC 60664-1

触点参数 / Contact parameters

		1a	
		1m (at 20A)	
		50A	
		2×10 ⁵	
		450V型	750V型
		1000VDC	1000VDC
		500A (320VDC)1	500A (320VDC)1
		22.5kW	37.5kW
1		1.5×10 ⁴ 450VDC, 50A	4×10 ³ 750VDC, 50A
		2×10 ⁴ 450VDC, 50A)	1×10 ⁴ 750VDC, 50A
2		50A:	
		80A:10min	
		120A:60s	
		500A:1s	
1	23	0.6s:5.4s	
2	85	14 mm ² " "	

性能参数 / Performance parameters

	1000M (1000VDC)
	3000VAC 1min
	3000VAC 1min
()	30ms
()	10ms
	196m/s ²
	490m/s ²
	10Hz 500Hz 49m/s ²
	5% 85%RH
	-40 85
	M5
	225g
	54.5mm × 40.5mm × 57.8mm

线圈参数 / Coil parameters

12	9	1.2	3.6W
24	18	2.4	3.8W
		-40 85	

订货标记示例

HFEVC - I Y O50 / 750-12 - C N SM -

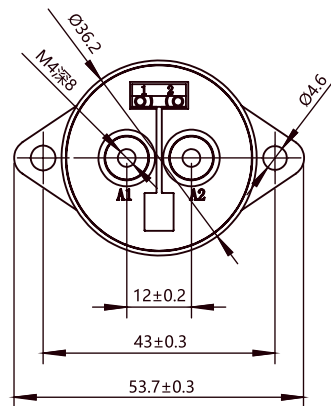
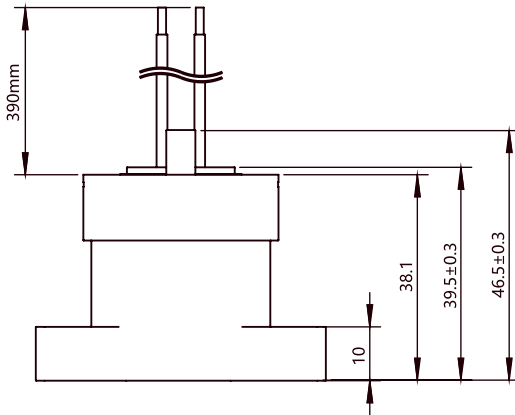
1 2 3 4 5 6 7 8 9 10

- 1 HFEVC:
- 2 T: H:
- 3 F: Y:
- 4 O50: 50A
- 5 DC Blank: 450V 750: 750V
- 6 12: DC12V 24: DC24V PWM: 9V - 24V
- 7 C: L:
- 8 Blank: N:
- 9 Blank: SM:
- 10

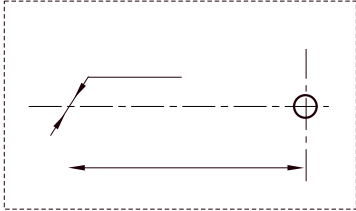
1

外形图、安装孔尺寸 / Outline drawing, mounting hole size

/Unit: mm



Mounting hole size



Wiring diagram

